

TECHNICAL DATA SHEET

ORTA

Basin Mixer with Optional Clicker Waste

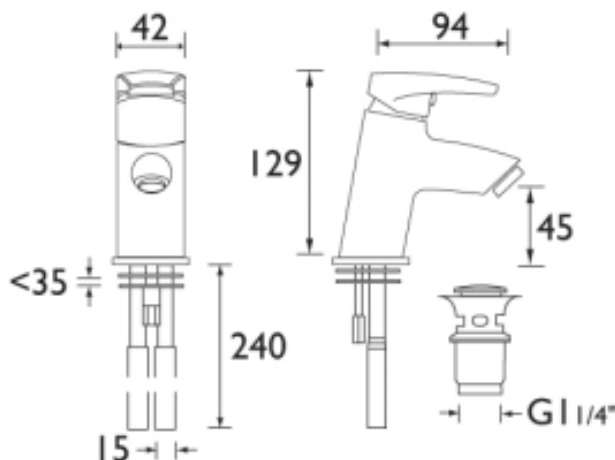
Product Specification

Product Codes:	OR BAS C (with waste) OR BASNW C (without waste)
Finish:	Chrome
Product Type:	Contemporary
Construction:	Body is of brass construction and is designed to conform to BS EN 200
Cartridge Type:	35mm cartridge with distributor
Supply:	Suitable for all plumbing systems
Inlet Connections:	M10 x 15mm Copper Tails
Outlet Connections:	M24 Flow Straightener
Working Pressures:	Min 0.2bar, Max 10.0bar
Dimensions for Fitting:	129 (H) mm, 45 (W) mm, 94 (D) mm



Additional Information

- Supplied with metal handles
- Supplied with clicker waste (optional)
- Chrome plated to BS EN 248



Flow Rates (litres per minute)

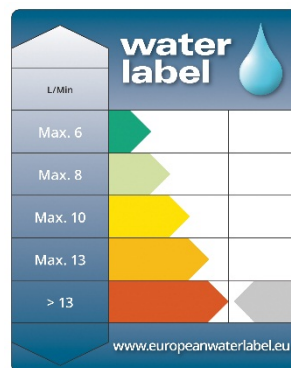
System Pressure	0.2bar	0.5bar	1bar	2bar	3bar	5bar
Open Outlet	6.09	9.64	13.63	19.27	23.6	30.47

Compliance/Approvals

WRAS Approval No: 1610001

Technical Advice: For further information please call 0844 7016273 or email customer@bristan.com

Guarantee: 5 years covering manufacturing faults.



Bristan, Birch Coppice Business Park, Dordon, Tamworth, B78 1SG
Telephone: 0844 701 6274 Facsimile: 0844 701 6275
Web Site: www.bristan.com Email: enquire@bristan.com

